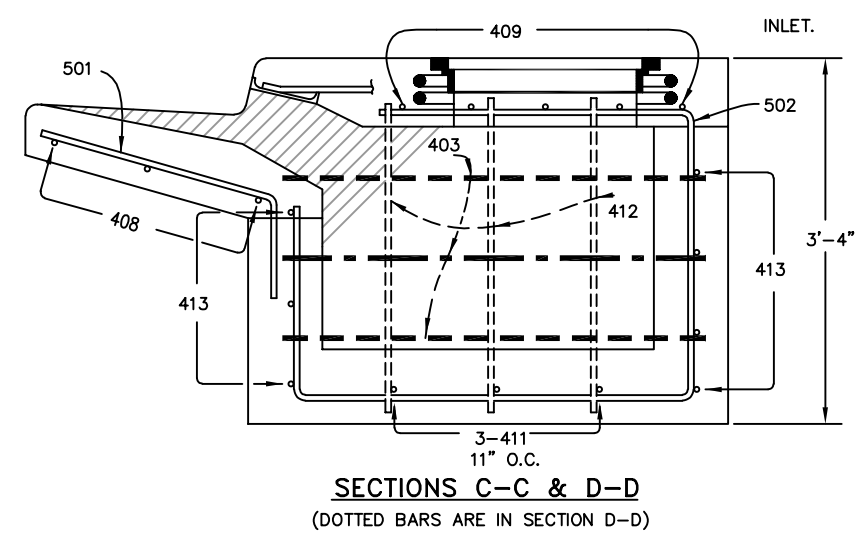



- ★ FOR LENGTH GREATER THEN 5 FT. PROVIDE ACCESS AT BOTH ENDS.
- ADDITIONAL MANHOLE RING AND COVER REQUIRED WHEN LENGTH IS GREATER THAN 10'. CUT REINFORCEMENT BAR ACCORDINGLY.

NOTE: MANHOLE RING & COVER SHALL BE LOCATED AS CLOSE AS POSSIBLE TO OUTFLOW PIPE FOR MAINTENANCE PURPOSES.



CURB INLET TYPE R

	CITY OF LOVELAND PUBLIC WORKS DEPT. STORMWATER	STORMWATER CONSTRUCTION DRAWINGS		APPROVED: KWG	DRAWING SW-5A
				DATE: 4/06/23	
				DRAWN BY: TBK/SLS	