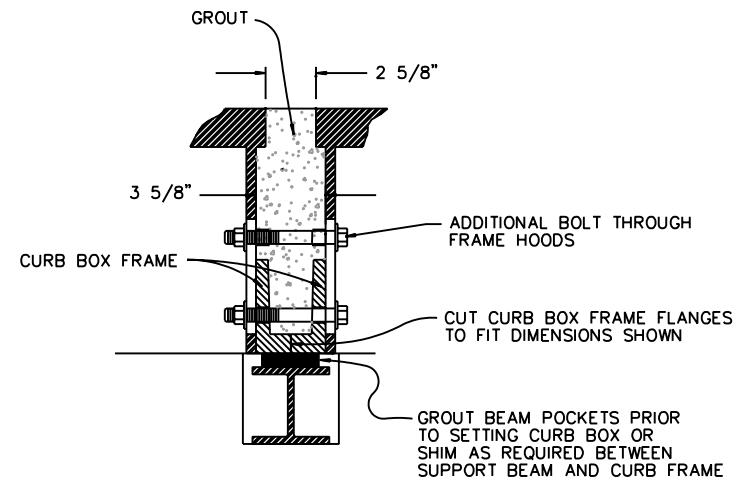
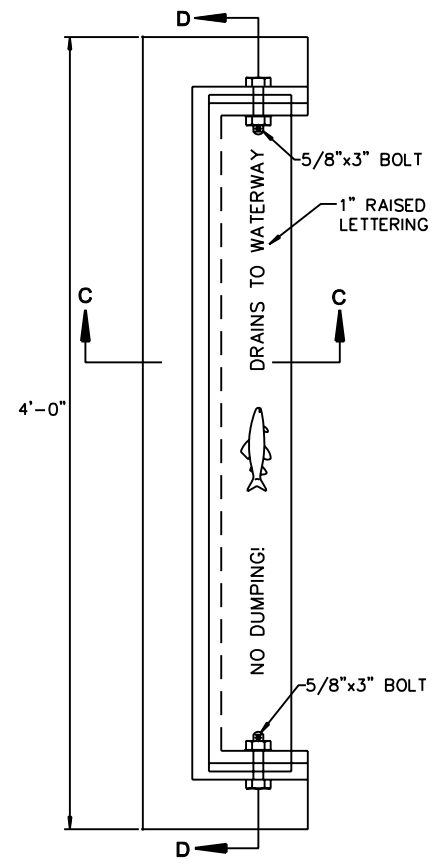


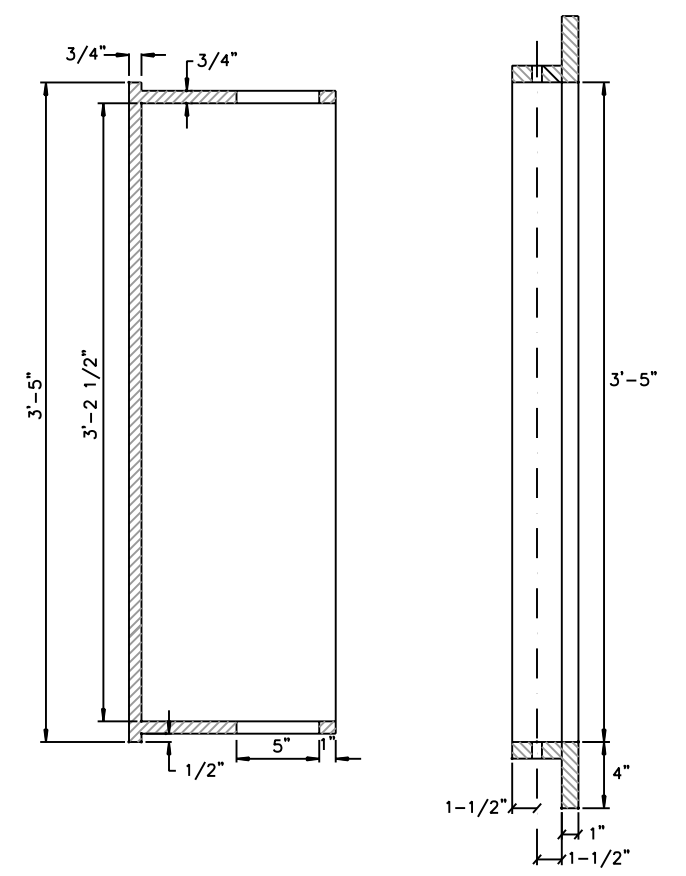
SUPPORT BEAM SECTION AT GRATE FRAME



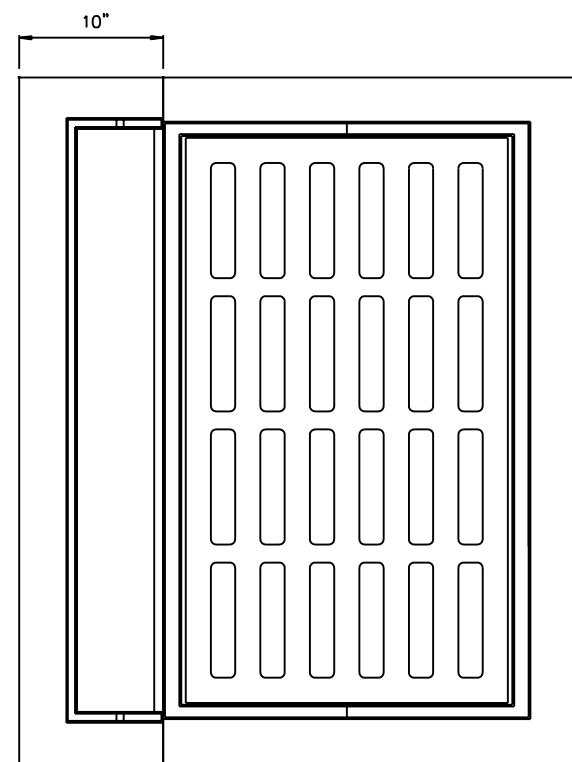
SUPPORT BEAM SECTION AT CURB BOX FRAME



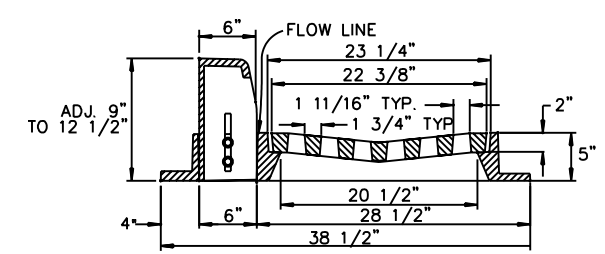
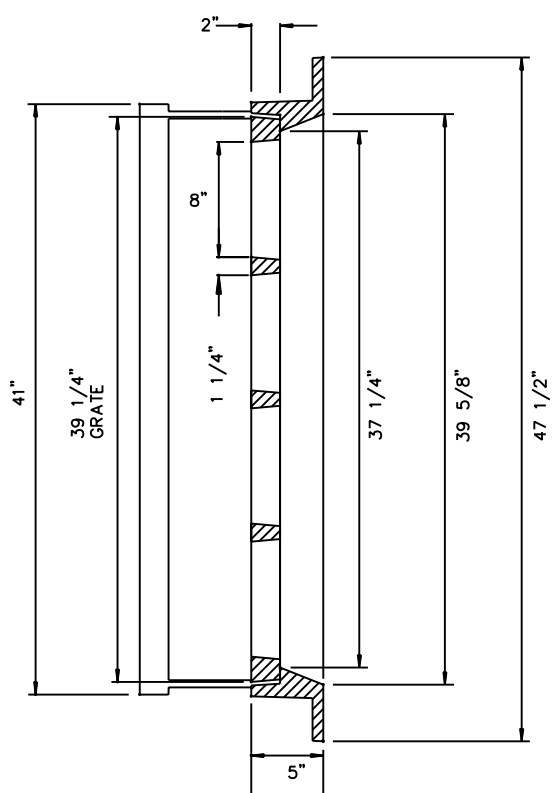
PLAN



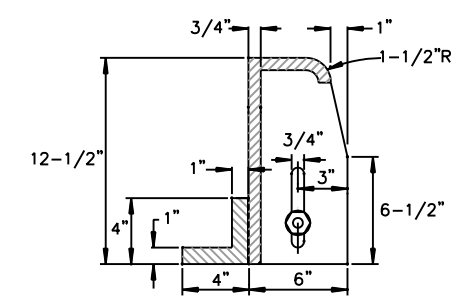
SECTION D-D



STANDARD FRAME AND GRATE DETAIL



- NOTE:
- TOTAL OPEN AREA IS 336 SQUARE INCHES PER STANDARD GRATE.
  - MINIMUM CURB OPENING AREA IS 150 SQUARE INCHES PER CURB BOX.
  - CURVED VANE TYPE GRATES IN ACCORDANCE WITH CITY OF LOVELAND SPEC. 05500 SHALL BE INSTALLED ON ALL AT-GRADE INLETS. STANDARD PEDESTRIAN & BICYCLE SAFE BAR GRATES IN ACCORDANCE WITH SPEC. 05500 SHALL BE INSTALLED IN ALL SUMP LOCATIONS.



SECTION C-C

LOVELAND COMBINATION INLET



CITY OF LOVELAND  
PUBLIC WORKS DEPT.  
STORMWATER

STORMWATER  
CONSTRUCTION  
DRAWINGS

APPROVED: KWG  
DATE: 8/17/07  
DRAWN BY: CAC

DRAWING  
SW-3B