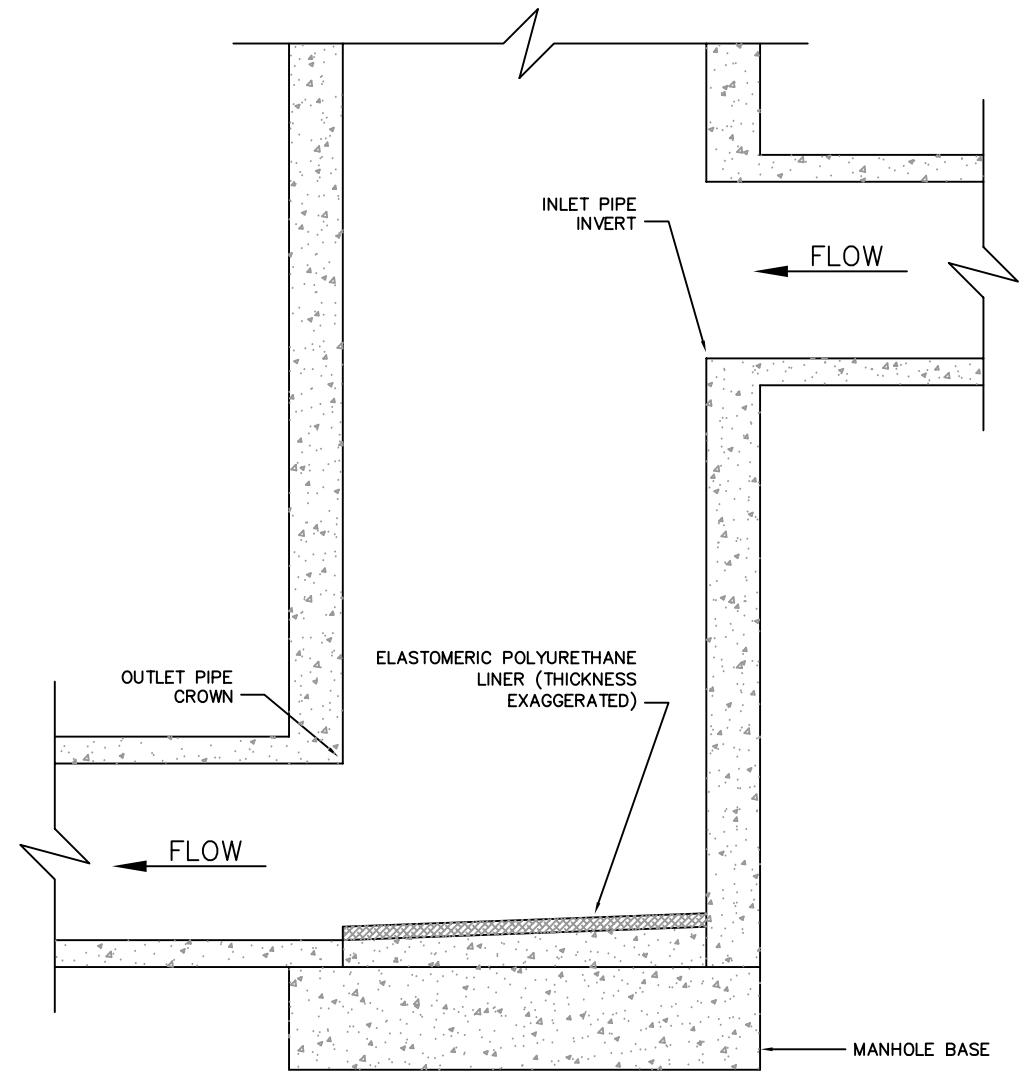
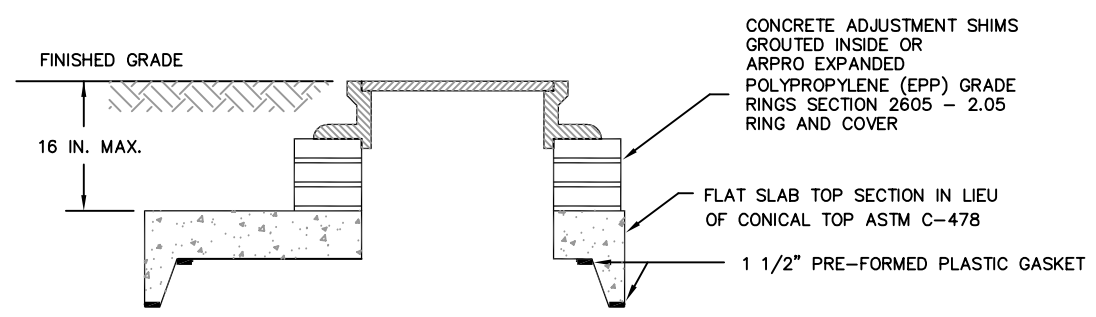


**STANDARD MANHOLE TOP**



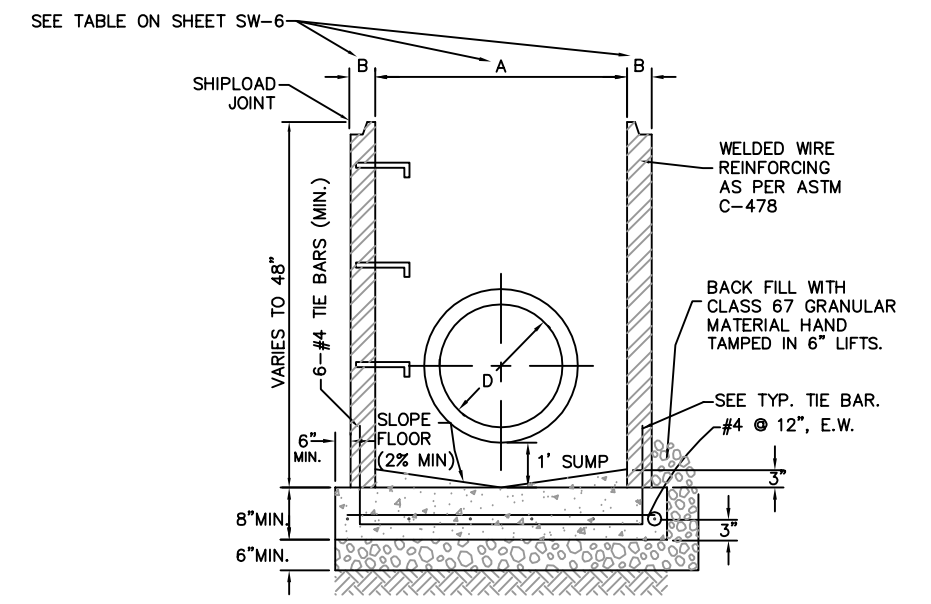
**DROP MANHOLE WITH INVERT PROTECTION**

- DROP MANHOLE NOTES:**
1. SPRAY ON ELASTOMERIC POLYURETHANE LINER SHOULD BE USED WHEN THE INLET PIPE INVERT IS ABOVE THE OUTLET PIPE CROWN.
  2. THE LINER SHOULD HAVE A MINIMUM THICKNESS OF 1/16".
  3. THE LINER SHALL BE "RHINO LINING" OR APPROVED EQUAL.



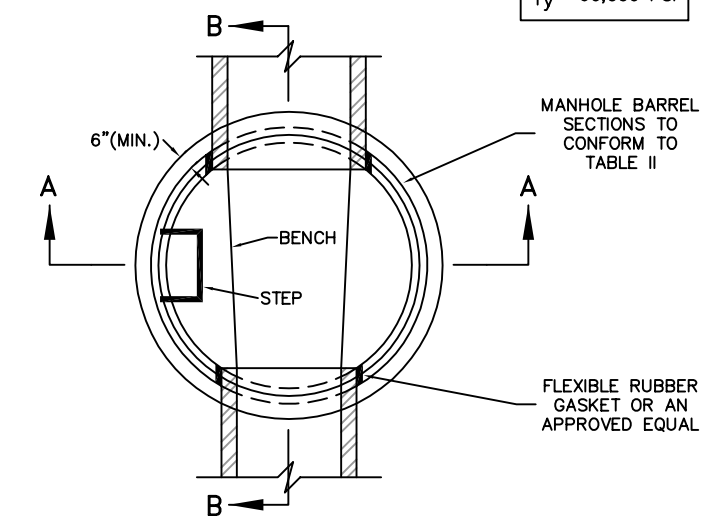
**FLAT MANHOLE TOP**

- NOTES:**
1. ALL COVERS AND FRAMES SHALL BE GRAY OR DUCTILE IRON CONFORMING TO CITY OF LOVELAND SPEC. 05500. COVERS AND FRAMES SHALL BE DESIGNED TO WITHSTAND HS 20 LOADINGS. MANHOLE COVER - EAST JORDAN IRON WORKS NO. 2405A OR EQUAL.

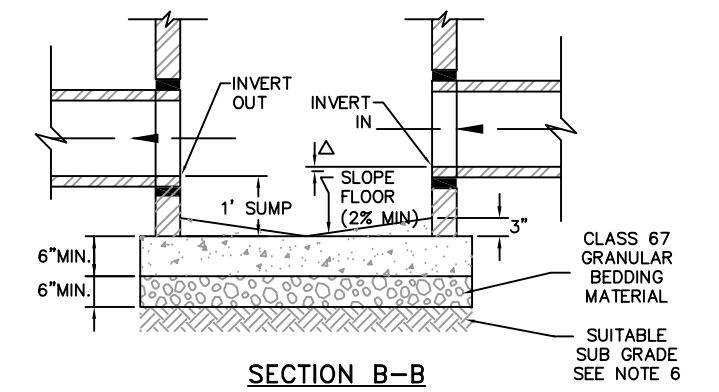


**SECTION A-A**


$f'_c = 4000$  PSI  
 $f_y = 60,000$  PSI



**MANHOLE WITH SUMP**



**SECTION B-B**

 CITY OF LOVELAND PUBLIC WORKS DEPT. STORMWATER	<b>MANHOLES</b> STORMWATER CONSTRUCTION DRAWINGS	APPROVED: KWG	DRAWING SW-7
		DATE: 05/24/24	
		DRAWN BY: DLE/SLS	