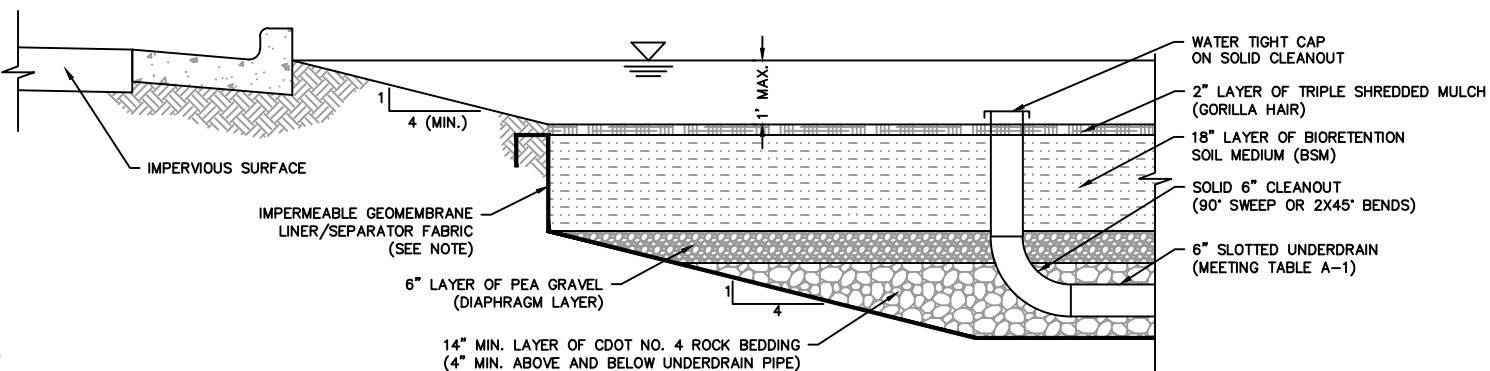


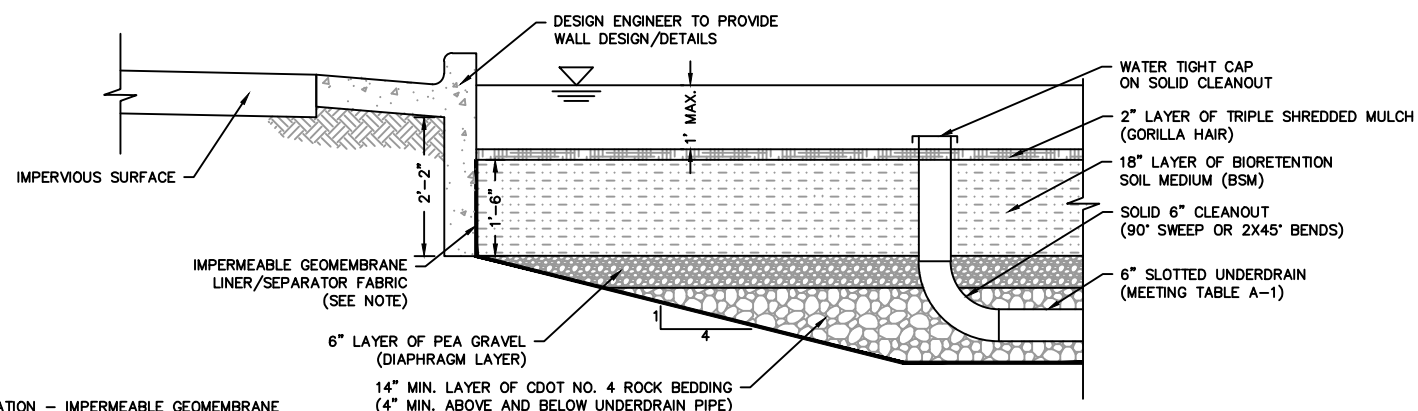
NOTE:
 NOT TO BE USED ON RESIDENTIAL LOTS.
 NOT TO BE LOCATED ADJACENT TO BUILDING STRUCTURES.

TYPICAL RAIN GARDEN PLAN VIEW (NTS)



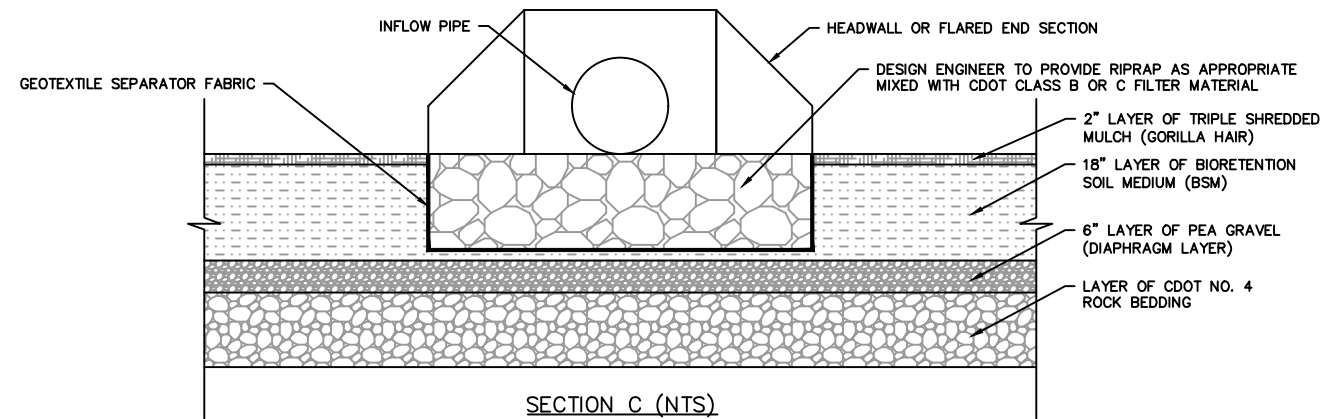
NOTE:
 • NO-INFILTRATION - IMPERMEABLE GEOMEMBRANE LINER (SEE DETAIL 2, SHEET SW-20)
 • PARTIAL INFILTRATION - SEPARATOR FABRIC WHEN SUBGRADE IS NOT COMPATIBLE WITH FILTER MATERIAL

SECTION A (NTS)

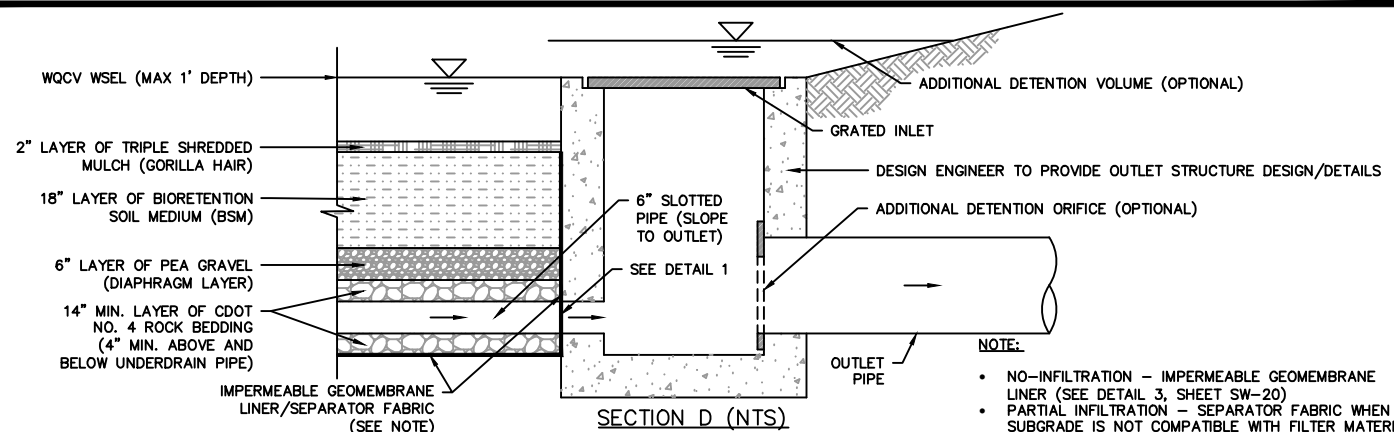


NOTE:
 • NO-INFILTRATION - IMPERMEABLE GEOMEMBRANE LINER (SEE DETAIL 3, SHEET SW-20)
 • PARTIAL INFILTRATION - SEPARATOR FABRIC WHEN SUBGRADE IS NOT COMPATIBLE WITH FILTER MATERIAL

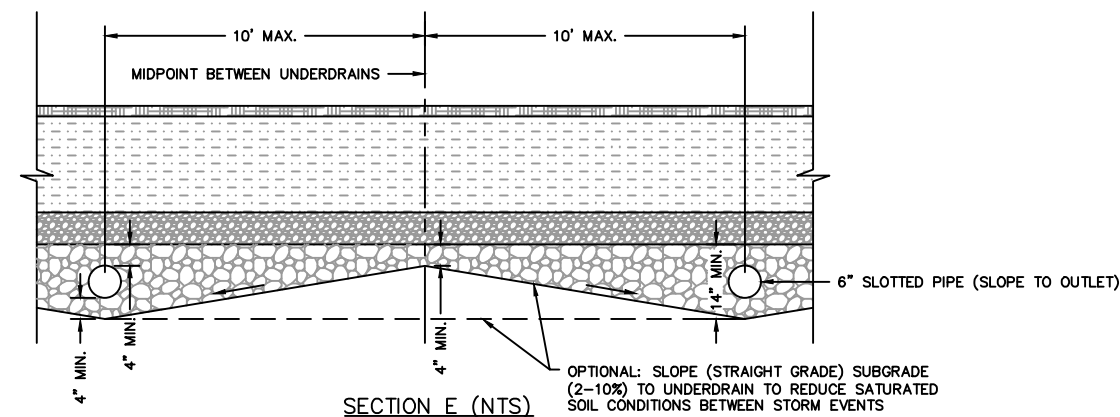
SECTION B (NTS)



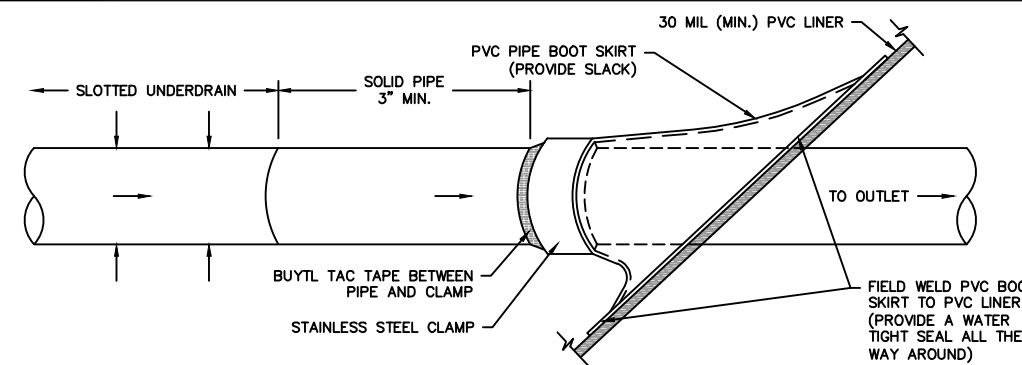
SECTION C (NTS)



SECTION D (NTS)



SECTION E (NTS)



DETAIL 1 - IMPERMEABLE GEOMEMBRANE LINER/UNDERDRAIN PENETRATION DETAIL (NTS)

BIORETENTION / RAINGARDEN



CITY OF LOVELAND
 PUBLIC WORKS DEPT.
 STORMWATER

STORMWATER
 CONSTRUCTION
 DRAWINGS

APPROVED: **KWG**
 DATE: **JANUARY 2021**
 DRAWN BY: **AMH**

DRAWING
 SW-19